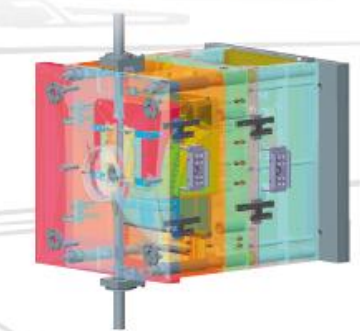


SUB Alliance

www.sub-alliance.com



Your manufacturing partner for polymers, composites, metals and transmissions

Prototyping - Plastic injection molding - Precision mechanics - Composites - Tooling & Machining - Gears & transmissions



4 companies
5 plants
27000m²



31,5M



183 employees



 <p>METAL INJECTION</p>			
 <p>INJECTION MOLDING</p>		<p>PRECISION MECHANICS</p>	<p>TRANSMISSION & GEARS</p>
<p>FERONYL</p>	<p>TECNOLON WORKS</p>	<p>DPM</p>	<p>GTG</p>

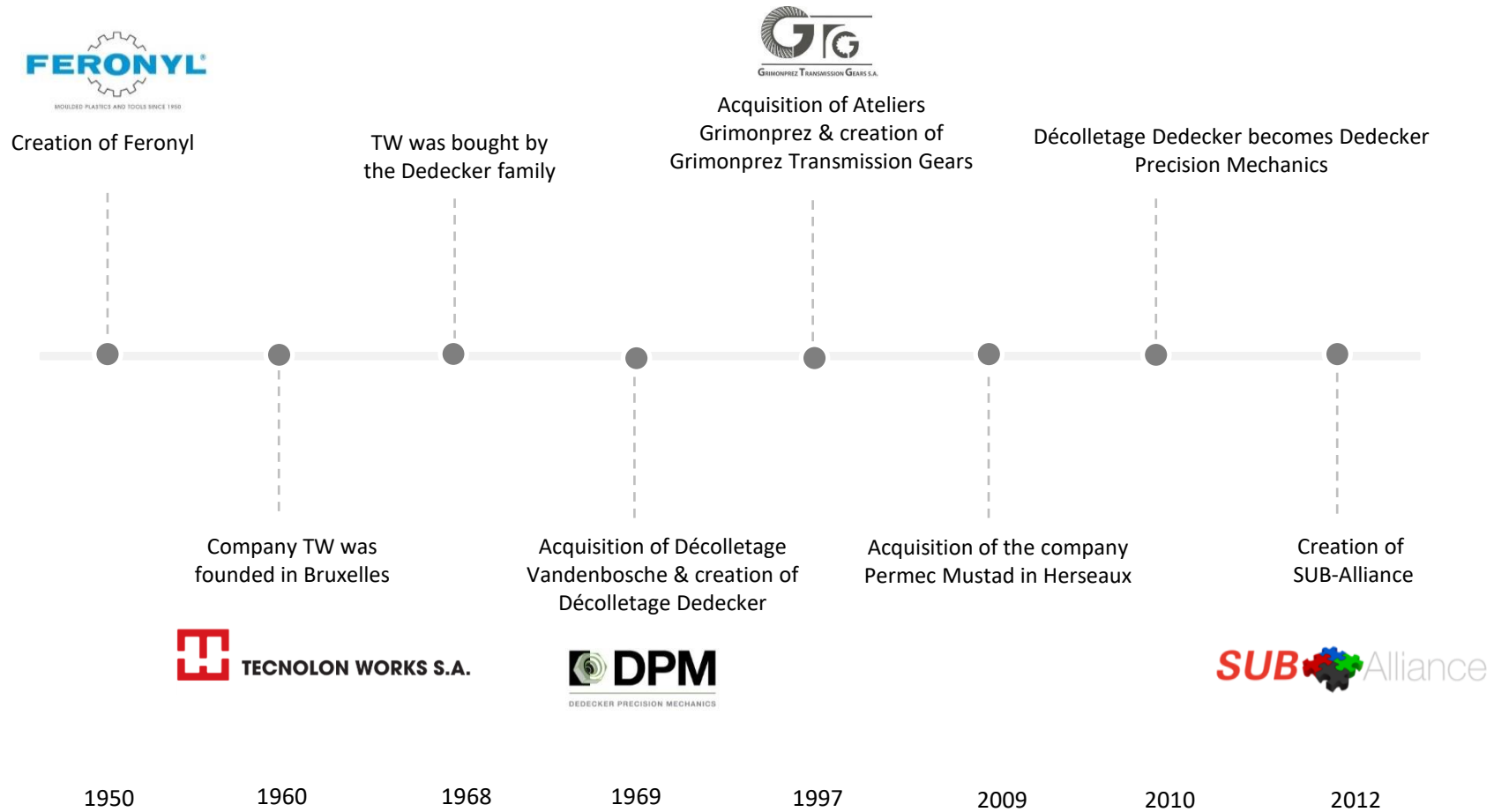
	Feronyl	€ 10M		45		12000m ²
	Dedecker Precision Mechanics (DPM)	€ 12M		85		9000m ²
	Grimonprez Transmission Gears (GTG)	€ 7M		40		3750m ²
	Tecnolon Works (TW)	€ 2,5M		13		2500m ²
		<hr/>		<hr/>		
		31,5M		183		



Mouscron - BE

SUB-Alliance is located at the crossroads of the major arteries of Europe.







- Worldwide components
- Customer base in Europe
- Export to America and Asia



FERONYL

- Plastics, composite and metal injection molding
- 31 molding machines (10 to 1300 tons closing force)
- Product development
- Development of combinations of materials
- Overmolding metal, ceramic, glass
- Assembly of complex parts



DEDECKER PRECISION MECHANICS

- Bar turning (\varnothing from 2 mm up to 65 mm)
- Billet machining
- Cubic part machining
- Grinding of mechanical parts (from 3mm to 120mm)
- Surface treatment
- Milling of parts (with $\varnothing > 150$ mm)
- Heat treatment
- Mechanical Assembly



TECNOLON WORKS

- Design & Manufacturing of molds
- Turning (up to \varnothing 350 mm)
- Deep hole drilling
- High speed milling 3, 4 & 5 axis (up to 2600x1100x900 mm)
- Electrical discharge machining (die-sink and wire-cut)
- Welding (MIG, TIG)
- Assembly



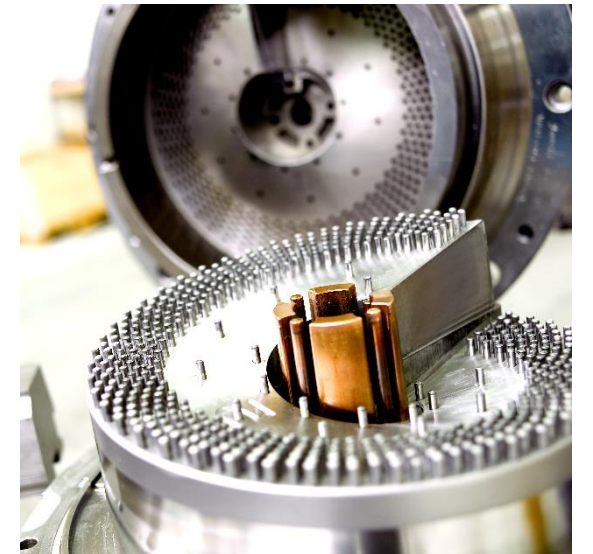
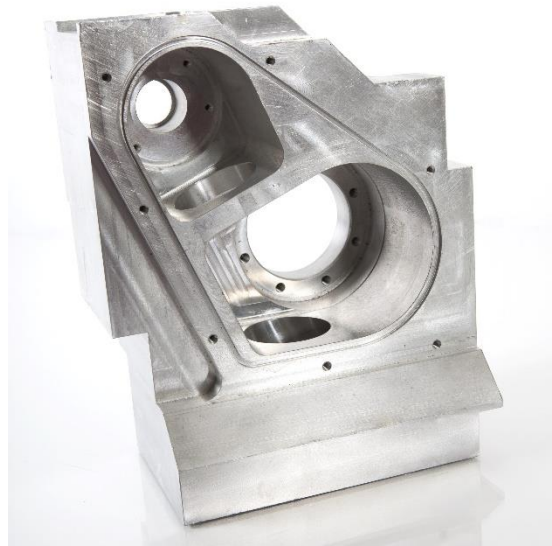
GRIMONPREZ TRANSMISSION GEARS

- Gears manufacturing
- Special gears manufacturing (helical, straight bevel, spiral bevel, etc.)
- Heat treatment
- Transmission sub-assemblies



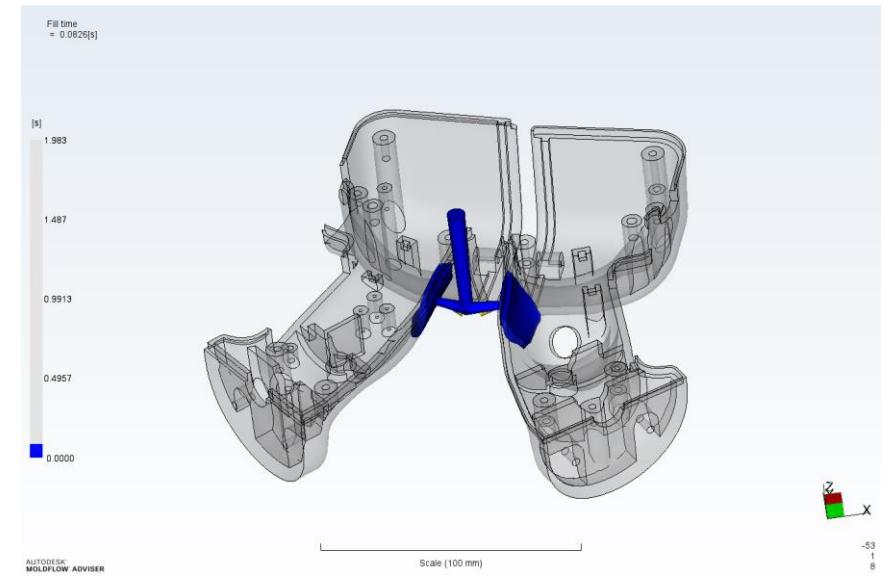
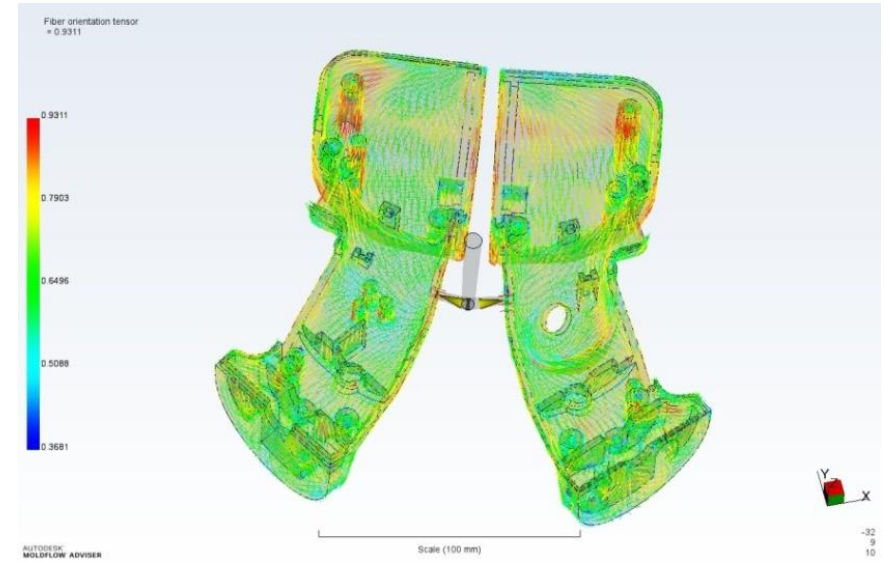






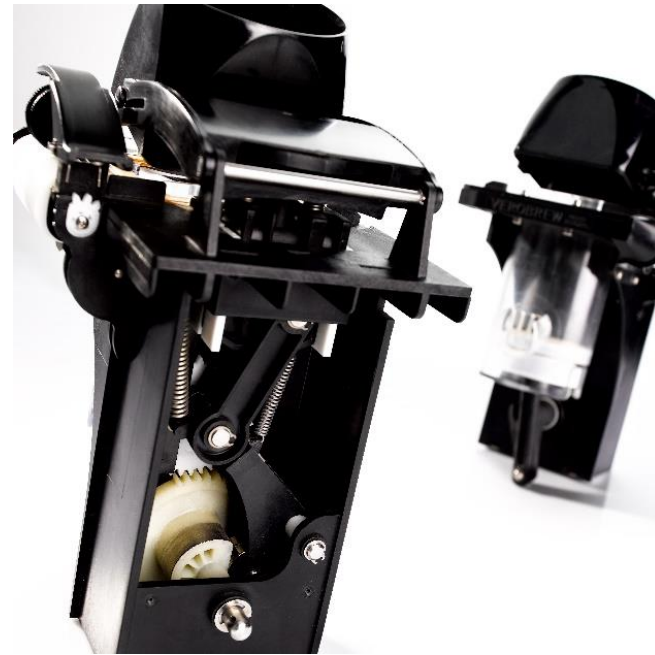
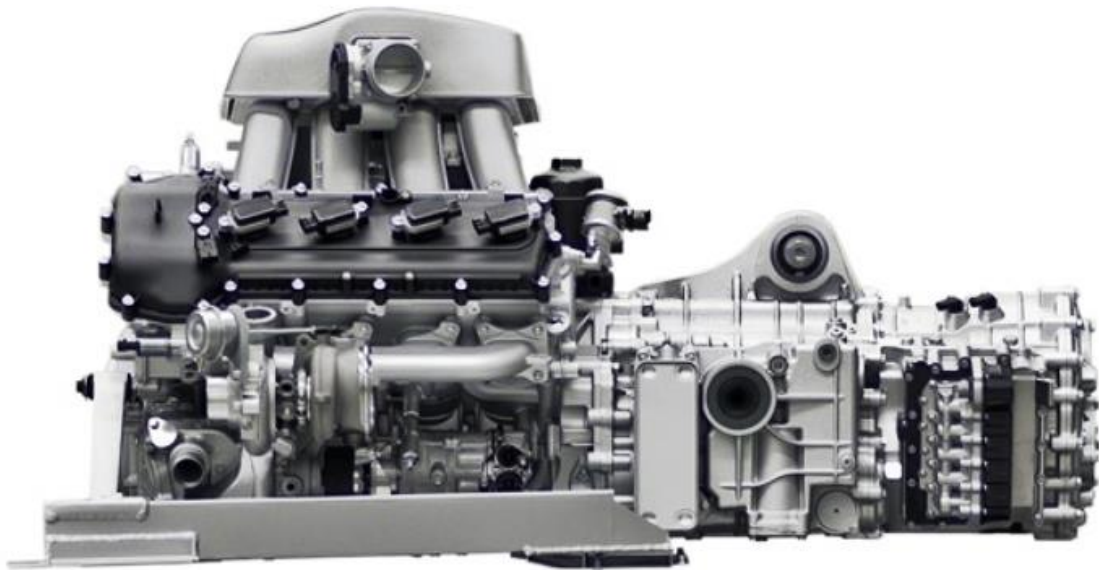


Development
Communication
Delivery
Solutions
Software
Technology
Business
Processes
Team
Quality



Assemblies

- Motors with the synergy of different partners of Sub-alliance
- Complex components like coffee machines or medical devices
- Other devices for various applications

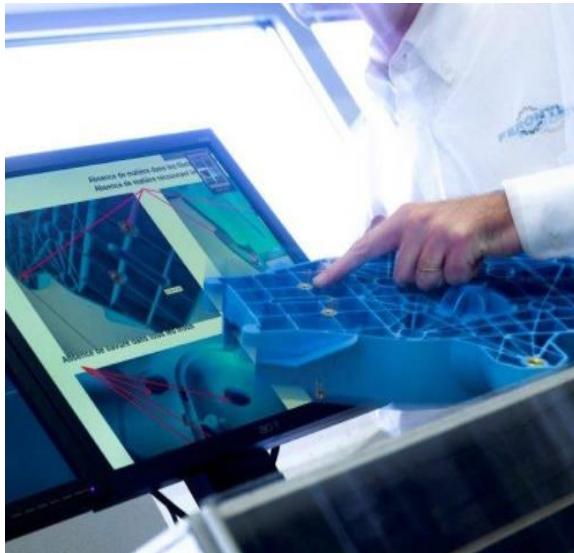


SUB-Alliance is fully integrated in the value-chain of advanced products from our customers :

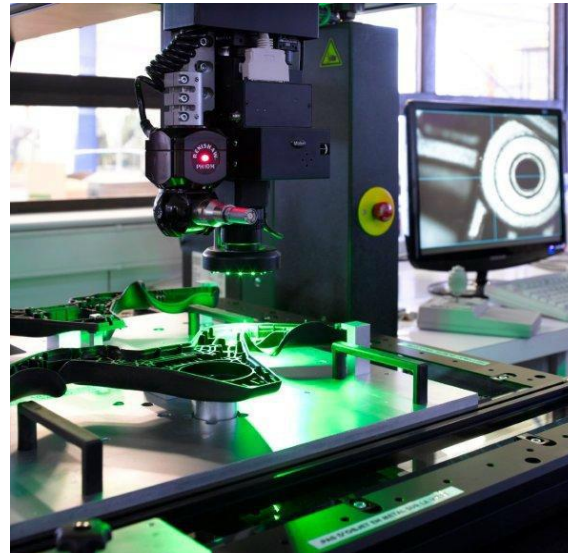
- Highest quality standards in the market.
- Factories able to produce the required quality within short lead times and budget.
- Standard quality labels as ISO 9001 or Aerospace and Defense related certifications as EN9100 / AS9100.
- Working procedures for the following domains: Environmental, working conditions, ethics and security.



Manufacturing excellence



OTD



High quality standards



In a constant desire to increase our productivity and reducing our ecological footprint, SUB-Alliance pursues a policy of synergy between the manufacture of high-precision components and the use of appropriate materials for the end use :

- **Reduce the weight of your products** : By using this sustainable development methodology. The global energy consumption to use, move or fly your products will therefore also be reduced.
- **Use the minimum amount of energy** and raw materials to meet your requirements. Our company has worked over the years to continue to develop this activity in the most sustainable way.



Located at the crossroads of the major arteries of Europe, the SUB-Alliance companies establish direct connections with its customers. Its simple structure makes communication flexible and effective.



7700 Mouscron

BE 0691 615 245

Tel: 0032 (0)56 85 75 30

Website : sub-alliance.com

E: info@sub-alliance.com

